

Dimension Sheet for ROBA[®]-switch Type 017._00.2

(M.017+002.GB)



Application

ROBA[®]-switch fast acting rectifiers are used to connect DC-consumers to alternating voltage supplies, for example electromagnetic brakes and couplings (ROBA-stop[®], ROBA[®]-quick, ROBATIC[®]) as well as electromagnets, electrovalves etc.

Fast acting rectifier ROBA[®]-switch 017._00.2

- load operation with overexcitation or power reduction
- Input voltage: 100 - 500 VAC
- Maximum output current I_{RMS} : 3 A at 250 VAC
- UL-approved

Function

The ROBA[®]-switch units are used for operation at an input voltage of between 100 and 500 VAC, dependent on size. They can switch internally from bridge rectification output voltage to half-wave rectification output voltage. The bridge rectification time can be modified from 0,05 to 2 seconds by exchanging the external resistor.

Electrical Connection (Terminals)

- 1 + 2 Input voltage (fitted protective varistor)
- 3 + 4 Connection for external contact for DC-side switch-off
- 5 + 6 Output voltage (fitted protective varistor)
- 7 + 8 R_{ext} for bridge rectifier timing adjustment

Technical Data

Input voltage	see Table 1
Output voltage	see Table 1
Protection	IP65 components, IP20 terminals, IP10 R_{ext}
Terminal nom. cross-section	1,5 mm ² , (AWG 22-14)
Ambient temperature	-25 °C to +70 °C
Storage temperature	-40 °C to +105 °C

ROBA[®]-switch Sizes, Table 1

Type Size	017.000.2		017.100.2	
	10	20	10	20
Input voltage VAC ±10 %	100-250	200-500	100-250	200-500
Output voltage VDC, U_{bridge}	90-225	180-450	90-225	180-450
Output voltage VDC, $U_{half-wave}$	45-113	90-225	45-113	90-225
Output current I_{RMS} at ≤ 45 °C, (A)	2,0	1,8	3,0	2,0
Output current I_{RMS} at max. 70 °C, (A)	1,0	0,9	1,5	1,0
Conformity markings				

Order Example

To be stated on order	Size	Type
Order Number:	-	017._00.2

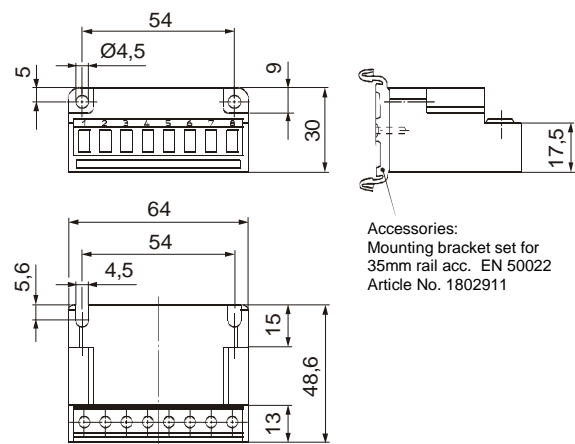
10-20

0 = UL-approved up to 300V
1 = UL-approved up to 500V



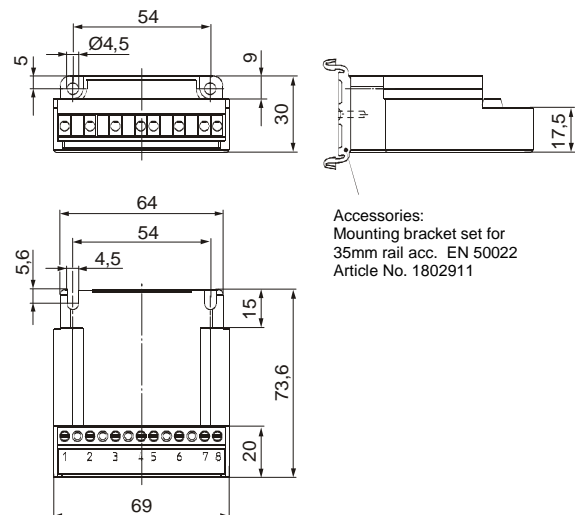
Dimensions (mm)

Type 017.000.2



Accessories:
Mounting bracket set for 35mm rail acc. EN 50022
Article No. 1802911

Type 017.100.2



Accessories:
Mounting bracket set for 35mm rail acc. EN 50022
Article No. 1802911